



CONSULTING SERVICES FOR CONSTRUCTION OF AYGAVAN INDUSTRIAL WASTEWATER TREATMENT PLANT

Country Republic of Armenia

Client Yerevan Brandy Factory CJSC

Duration June – November 2008

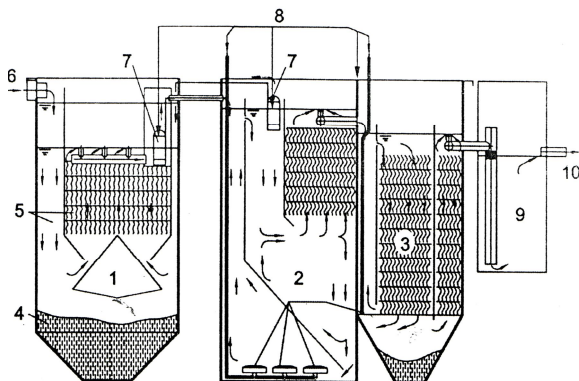
Terms of Reference

1. Study the production technological process of the branch, wastewater system, areas proposed for installation of treatment facilities.
2. Determination of daily, monthly and annual wastewater flows, obtaining unevenness regimes as a result.
3. Determination of qualitative composition of industrial wastewater.
4. Study of river water quality and hydrological regimes.
5. Selection of treatment scheme and development of proposals for treatment of sediments originated as a result of treatment and their possible utilization.



Brief description of project and services provided

Study of industrial process and industrial wastewater disposal system of Aygavan branch, determination of qualitative composition of wastewater, study of similar wastewater treatment technologies, implementation of technological and economic calculations, selection and proposal of efficient plant.



Project objective:

Providing treatment of Aygavan branch industrial wastewater, environmental protection